

# New PRECISION PLUS SERIES PIPETTOR

Sequence  
BioTech, LLC

## Innovative, Easy to use, Advanced Benchtop Pipettor

### Precision Plus Series Pipettor Features

- For use with universal tips
- 250 uL volume capacity
- Enhanced motor control for acceleration and deceleration
- Six pipetting speeds and custom speed control settings
- Ergonomic large comfortable handle grip
- Improved programmability by adding extra commands and 4x memory
- Compact, will easily fit into a fume hood
- Lightweight, only 22 pounds
- Two year warranty
- LED Lighting- dimmable directly over pipette tips

**Dispense/Aspirate** Easily move the pipette head with a light touch on the handle.

**Tip Loading/Eject**- Large over molded handle provides a comfort grip while picking up tips. Easily load a 96 rack of tips with minimal effort. Automatic motor powered tip eject.

**Control Panel**- Large embossed intuitive keypad buttons. Center knob rotates easily to dial in volumes and make menu selections.

Sequence  
BioTech, LLC



# Precision Plus Series Pipettor Specifications



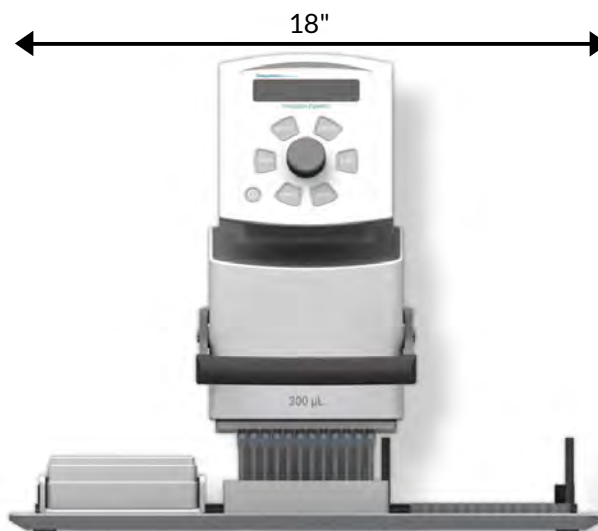
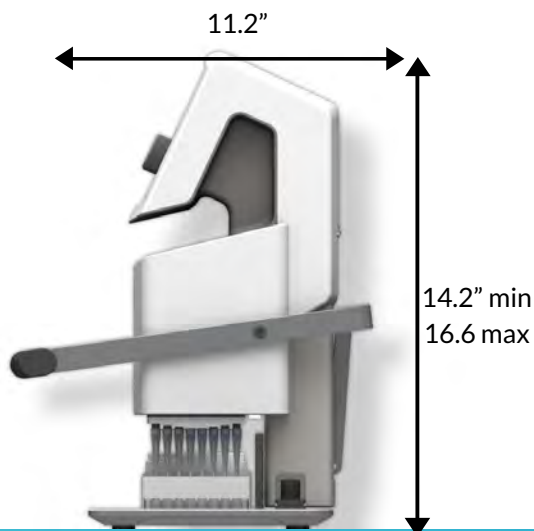
Parameter	Specifications
Overall Dimensions	16.6" (H) x 18.0" (L) x 10.0" (W) 420mm (H) x 458mm (L) x 254mm (W)
Main Power Supply	100-240 V   47-63Hz   1.4 A Max
Input Voltage	24 VDC   2.7 A   65 Watts
Operating Conditions, Indoor	50-102 F   10-40C   85% RH condensing
Compliance	CE, UL & CSA   EN61010-1-NRTL
Weight	22 lbs   10 Kg
Plates, Rack	Any SBS Footprint, 96 or 384 well

## 300 uL Pipetting Head Model

Dispensing Volume	5-250 uL
Dispensing Resolution	Slow-knob rotation   1 uL Fast-knob rotation   10 uL
Dispensing Precision	25-250 uL   <3% 5-24 uL   <5%
Dispensing Accuracy	5-250 uL   +/- 3%
Speed	6 Preset Speeds 1-150 uL/second

## 25 uL Pipetting Head Model

Dispensing Volume	1.0-25.0 uL
Dispensing Resolution	Slow-knob rotation   0.1 uL Fast-knob rotation   1.0 uL
Dispensing Precision	5.0-25.0 uL   <3% 1.0-4.9 uL   <5%
Dispensing Accuracy	5.0-25.0 uL   +/- 3% 1.0-4.9 uL   +/- 3%
Speed	6 Preset Speeds 0.1-10 uL/second



 **Sequence**  
BioTech, LLC

Ordering Information

 **fb**  
fisher biotec  
australia

Australian distributors:  
Fisher Biotec Australia  
free call: 1800 066 077  
email: [info@fisherbiotec.com](mailto:info@fisherbiotec.com)  
web: [www.fisherbiotec.com](http://www.fisherbiotec.com)