

# *GX-K*

# *GF-K*

## *Series*



*GF-K*

*GX-K*



Australian distributors:  
Fisher Biotec Australia  
free call: 1800 066 077  
email: [info@fisherbiotec.com](mailto:info@fisherbiotec.com)  
web: [www.fisherbiotec.com](http://www.fisherbiotec.com)



# **A&D**

...Clearly a Better Value  
A&D Company, Limited

# Our revolutionary Super Hybrid Sensor (SHS) technology provides fast response speed, accuracy and minimizes maintenance costs.

SHS technology combines the best of magnetic force restoration and single point parallelogram load sensing technologies. Its unique design provides the fastest response speed in its class - just 1.5 seconds! And if the time ever comes when the SHS needs repair, you just replace one of three parts - there is no need to replace the whole sensor! This offers the user Minimum Maintenance Costs.

## Motor-driven Internal Calibration GX-K



The GX-K internal calibration with an internal mass saves time and money. External calibration requires a great deal of skill, time and an expensive external mass. With our internal calibration with internal mass, the balance is calibrated very quickly.

- Automatic Self Calibration — Self-calibrates automatically when the balance detects ambient temperature changes.
- One Touch Automatic Calibration — Allows you to calibrate the balance on demand with just the push of a button.

## Just 1.5 Seconds — Ultra Fast Response Speed



- Ultra Fast Response Speed – Just 1.5 Seconds\* Ideal for installation with filling machines. \* “FAST” setting
- Ultra High Performance with minimum maintenance costs.

## Standard RS-232C



Incorporates bi-directional communication with a PC, printer or other peripheral device.

## Standard Windows Communication Tools Software

A free copy of WinCT-A&D's powerful and flexible data collection software tool for virtually instant connection to a PC and a network of other devices.



## Water and Dust Proof IP65

Balances protected from water and dust up to IP65 level.

### Easy to Clean

Simple and quick draining structure



### Water Proof RS-232C Cable (Optional GX-07K)



### Water Proof



Technology improves  
performance costs.

GX-K

GF-K



**GLP/GMP/GCP/ISO Compliance** 

Allows GLP or LIMS balance management by outputting the balance ID number and data used to calibrate the balance. The data can be output to A&D's AD-8121B printer or a computer, indicating date, time, balance ID number, serial number and calibration data.

**ID Number** 

The balance ID number can be set. It is used to identify the balance when GLP is in use. The ID number is memorized and maintained once it is fixed, even if the AC adapter is removed.

**Auto Power On Function** 

Plug in the unit and it turns itself on without having to press the ON/OFF key.

**Display Auto Power Off Function** 

Display turns off after 10 minutes of inactivity (can be disabled using function setting)

**Data Memory Function** 

Format the Data Memory Function for:

- GX-K • 200 sets of weighing data
  - 100 sets of weighing data with Time & Date
  - 50 sets of GLP Data - Time & Date, Calibration Data, ID number and Serial number
  - 20 sets of Unit Weight for Counting Mode
  - 20 sets of Upper and Lower Limit Values for Comparator Mode
  - 20 sets of Tare Value
- GF-K • 40 sets of weighing data
  - 50 sets of Unit Weight for Counting Mode
  - 20 sets of Upper and Lower Limit Values for Comparator Mode
  - 20 sets of Tare Value

**SMART RANGE**

**Smart Range Function** (GX/GF-8K2/32K models only)

Accurate, fine weighing is possible even with a heavy container.

**Time & Date** (GX-K models only) 

Standard Time & Date Function complies with GLP and Interval Weighing in the Data Memory Function.

**Auto Self Checking**

Automatically checks itself when setting the Automatic Adjustable Environment.

**Interval Time Setting**

Weighing intervals of 2, 5, 10, 30 seconds and 1, 2, 5, 10 minutes in the Data Memory Function.

**Auto Re-Zero Function**

Re-zeroes automatically after data output.

**Multiple Weighing Units & Programmable Unit**

Uses Programmable or standard units of measurement. (g, ct, dwt, etc.)

**Quick Reference Card**

A concise, convenient operating guide on the base of the balance.

**ANIMAL**



**Animal Weighing Mode** allows you to quickly and accurately determine the weight of any live or unstable subject. Optional animal weighing pan is available.



**Automatic Adjustable Environment Setting** Adapts to the most suitable Environment Response Setting automatically with one-touch key operation. The response annunciator displays "FAST", "MID" and "SLOW." (GX-K)  
**Manual Response Adjustment** can be set by pressing the MODE key and response speed can be adjusted to FAST, MID or SLOW. (GF-K)

**COMPARATOR**



**Standard Comparator Function** offers increased flexibility and compatibility for a vast number of applications. You can input a target weight and weigh heavier or lighter items using either the keyboard or by placing samples on the pan. Hi, OK or Lo will be indicated on the display to show the comparison results. (GX-04 Comparator out)

**ACA**



**Automatic Counting Accuracy Improvement (ACA)** is a novel and useful approach to ensuring the utmost in performance when counting even the smallest of items. ACAI automatically updates and refines the average piece weight used to determine the total quantity.



**Percentage Function** facilitates an effective and quick comparison of a sample or commodity against a known reference mass. Simply place an object on the pan to register its weight as 100%. Place another object on the pan to compare its weight in percentage mode.



**Overall Capacity Indication** is a unique and helpful feature. By indicating how much of the balance's capacity has been filled, the risk of overloading the balance is minimized.

# GX-K

	GX-8K	GX-8K2	GX-10K	GX-12K	GX-20K	GX-30K	GX-32K
Weighing capacity	8.1kg	8.1kg/2.1kg	10.1kg	12kg	21kg	31kg	31kg/6.1kg
Minimum weighing value	0.01g	0.1g/0.01g	0.01g		0.1g		1g/0.1g
Repeatability (Standard Deviation)	0.01g	0.05g/0.01g	0.01g		0.1g		0.5g/0.1g
Linearity	±0.03g	±0.1g/±0.02g	±0.03g		±0.2g		±1g/±0.2g
Stabilization time (on FAST setting)	Approximately 1.5 seconds						
Sensitivity drift (10°C to 30°C, when automatic self calibration is not used)	±2ppm/°C	±3ppm/°C	±2ppm/°C		±3ppm/°C		±5ppm/°C
Operating temperature & humidity range	5°C to 40°C, below 85%RH (no condensation)						
Calibration	Motor-driven Internal Calibration						
Display refresh rate	5 times/second or 10 times a second						
Counting mode	Minimum unit mass	0.01g	0.1g	0.01g		0.1g	1g
	Number of samples	10, 25, 50 or 100pieces					
Percent mode	Minimum 100% reference mass	1g	10g	1g		10g	100g
	Minimum percentage display	0.01%, 0.1%, 1% (depends on reference mass stored)					
Transmission	RS-232C (provided as standard, with WinCT, our proprietary data transmission software)						
Water and dust proof specifications	Compliant with IP65						
Weighing pan dimensions	270(W) x 210(D) mm (10.62 x 8.26 inch)						
External dimensions	300(W) x 355(D) x 111(H) mm (11.81 x 13.97 x 4.37 inch)						
Power supply (AC adapter)	Confirm that the adapter type is correct for the local voltage and power receptacle						
Net weight	Approximately 9.3kg						

1. Even if a heavy tare is used, the measurement can still be made within the fine range. (Smart range function) (GX-8K2/32K)
2. We recommend regular calibration and maintenance using an external calibration mass for more accurate linearity.
3. The internal mass is equal to (approximately) 860 grams.
4. The unit is equipped with an underhook for measuring density and weighing magnetic materials.

# GF-K

	GF-8K	GF-8K2	GF-10K	GF-12K	GF-20K	GF-30K	GF-32K
Weighing capacity	8.1kg	8.1kg/2.1kg	10.1kg	12kg	21kg	31kg	31kg/6.1kg
Minimum weighing value	0.01g	0.1g/0.01g	0.01g		0.1g		1g/0.1g
Repeatability (Standard Deviation)	0.01g	0.05g/0.01g	0.01g		0.1g		0.5g/0.1g
Linearity	±0.03g	±0.1g/±0.02g	±0.03g		±0.2g		±1g/±0.2g
Stabilization time (on FAST setting)	Approximately 1.5 seconds						
Sensitivity drift (10°C to 30°C)	±2ppm/°C	±3ppm/°C	±2ppm/°C		±3ppm/°C		±5ppm/°C
Operating temperature & humidity range	5°C to 40°C, below 85%RH (no condensation)						
Display refresh rate	5 times/second or 10 times a second						
Counting mode	Minimum unit mass	0.01g	0.1g	0.01g		0.1g	1g
	Number of samples	10, 25, 50 or 100pieces					
Percent mode	Minimum 100% reference mass	1g	10g	1g		10g	100g
	Minimum percentage display	0.01%, 0.1%, 1% (depends on reference mass stored)					
Transmission	RS-232C (provided as standard, with WinCT, our proprietary data transmission software)						
Water and dust proof specifications	Compliant with IP65						
Weighing pan dimensions	270(W) x 210(D) mm (10.62 x 8.26 inch)						
External dimensions	300(W) x 355(D) x 111(H) mm (11.81 x 13.97 x 4.37 inch)						
Power supply (AC adapter)	Confirm that the adapter type is correct for the local voltage and power receptacle						
Net weight	Approximately 8.3kg						

1. Even if a heavy tare is used, the measurement can still be made within the fine range. (Smart range function) (GF-8K2/32K)
2. The unit is equipped with an underhook for measuring density and weighing magnetic materials.

## Options

- GX-04K\*1 Comparator Output with Buzzer/  
RS-232C/current loop output
- GX-06K\*1 Analog output/current loop output
- GX-07K\*2 Waterproof RS-232C cable (5m)
- GXK-012 Animal weighing pan

\*1 GX-04K, GX-06K, and the RS-232C (provided as standard) cannot be used at the same time.  
Water and dust proof specifications cannot be applied when the GX-04K or GX-06K is installed.

\*2 Use the GX-07K optional water proof RS-232C cable in order to use the standard RS-232C interface for water and dust proof (IP65) capabilities.

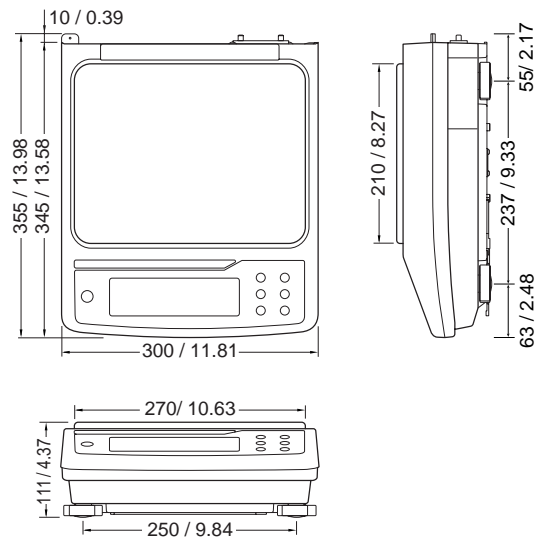
## Accessories

- AD-8121B Dot Matrix Compact Printer
- AD-8118B Universal Printer
- AD-8920 Remote Display
- AD-8922 Remote Controller
- AD-1683EX Static Eliminator
- AD-1682 Rechargeable Battery Unit  
(Maximum operating time: 8hours)
- AX-KO1710-200 RS-232C Cable (25P-9P,2m)
- AX-SW-128 Foot Switch



AD-8121B

## Physical Dimensions (mm/inches)



Specifications subject to change for improvement without notice.

**AND** ...Clearly a Better Value  
A&D Company Limited



Australian distributors:  
Fisher Biotec Australia  
free call: 1800 066 077  
email: [info@fisherbiotec.com](mailto:info@fisherbiotec.com)  
web: [www.fisherbiotec.com](http://www.fisherbiotec.com)