

Compact Balances

EJ

Series



EJ-1500



EJ-120

The EJ Series compact balances are specifically designed for on-line and catalog sales. Their performance and functions are also ideally suited for the education market.

- Unique and eye-catching color design.
- Hygienic and rustproof stainless steel pan.
- Supports multiple weighing units.
- Slot in the rear for an anti-theft lock.
- Stackable body to save storage space.
- Calculates density automatically.*

* The optional density determination kit (EJ-13) is required.



Stackable body



A&D
A&D Australasia

fB
fisher biotec
australia

MORE THAN
20
YEARS
IN BUSINESS
Established 1997

Australian distributors:
Fisher Biotech Australia
free call: 1800 066 077
email: info@fisherbiotec.com
web: www.fisherbiotec.com

Compact Balances *EJ* Series

Specifications

	EJ-123	EJ-303	EJ-120	EJ-200	EJ-300	EJ-410	EJ-610	EJ-1500	EJ-2000	EJ-3000	EJ-4100	EJ-6100	
Weighing capacity	120g	300g	120g	210g	310g	410g	610g	1500g	2100g	3100g	4100g	6100g	
Min. weighing value	0.001g		0.01g					0.1g					
Weighing units	g, pcs, %, oz, lb, ozt, ct, mom, dwt, GN, N, SG (density), tola*, tael, (HG, HJ, T)*												
Counting mode	Max count**	120,000 pcs	310,000 pcs	12,000 pcs	21,000 pcs	31,000 pcs	41,000 pcs	61,000 pcs	15,000 pcs	21,000 pcs	31,000 pcs	41,000 pcs	61,000 pcs
	Min. unit weight**	0.001g		0.01g					0.1g				
	No. of samples	5, 10, 25, 50 or 100 pieces											
Percent mode	Min. % display	0.1%											
	Min. .100% weight	0.1g		1g					10g				
Repeatability (standard Deviation)	0.003g	0.001g	0.1g										
Linearity	±0.0003g		±0.01g		±0.02g	±0.02g		±0.1g		±0.2g			
Sensitivity drift	±20ppm/°C to 30°C / 50°F to 86°F												
Display type	7-segment LCD with backlight (character height 16mm)												
Display refresh rate	10 times per second												
Operating temperature	-10°C to 40°C / 14°F to 104°F, 85%RH or less (no condensation)												
Power supply	AC adapter or 4 x AA batteries												
Battery operation	Approximately 70 hours (backlight off, alkaline batteries)												
Calibration mass**	100g	300g	100g	200g	300g	400g	600g	1500g	2000g	3000g	4000g	6000g	
Weighing pan size	Ø110mm						127mm x 140mm						
Net weight	Approximately 850g						Approximately 970g						

* For special version only. One of them can be selected or installed at the factory.

** Factory setting

Options

EJ-13



EJ-11

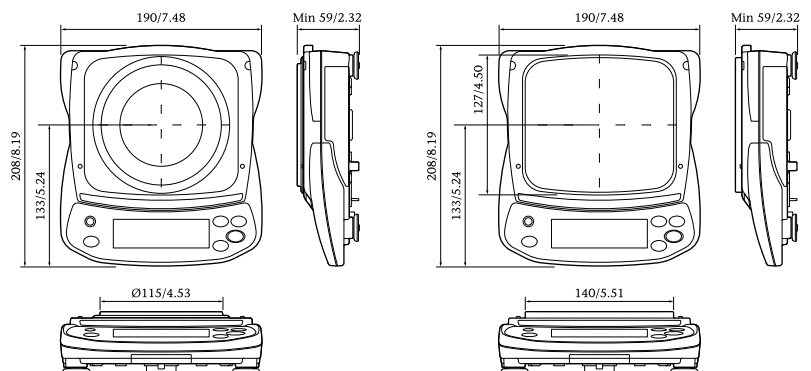


- EJ-02** Quick USB interface
- EJ-03** RS-232C interface
- EJ-07** Underhook for EJ-3000 / EJ-4100 / EJ-6100
- EJ-08** Underhook for EJ-1500 / EJ-2000
- EJ-11** Breeze break
- EJ-12** Carrying case
- EJ-13** Density determination kit for EJ-120 / EJ-200 / EJ-300 / EJ-410 / EJ-610



EJ-12

Dimensions(mm/inches)



EJ-120/200/300/410/610

EJ-1500/2000/3000/4100/6100