



Washable!

TITAN Mini Series

Trans-Industrial Technology Advanced Node

HL-WP

Dust & Waterproof Digital Scales

IP65



Stainless Steel Body



AND
A&D Australasia
"Excellence in Measurement"



Australian distributors:
Fisher Biotec Australia
free call: 1800 066 077
email: info@fisherbiotec.com
web: www.fisherbiotec.com



Food Service



Factory

Easy & simple to use for sanitary applications!

- Washable body IP65 (stainless steel body)
- Small-footprint
- 1/3000 high resolution
(HL-300WP, HL-3000WP & HL-3000LWP)
- Portable
(6 AA-type batteries, batteries not included)
- Stability indicator
- Tare function
- Auto power off
- AC adapter (optional)

Specifications

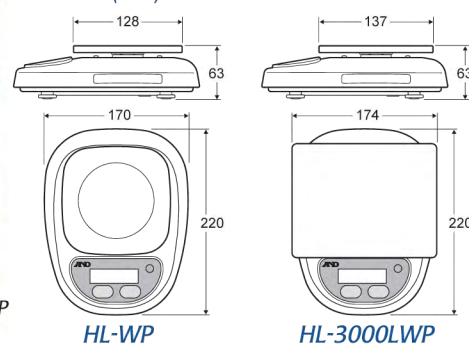
HL-WP	HL-300WP	HL-1000WP	HL-3000WP	HL-3000LWP
Capacity	300g	1000g	3000g	3000g
Resolution	0.1g	0.5g	1g	1g
Display	12mm height, 7 segment Liquid Crystal Display			
Display update	Approx. 4 times per second			
Pan size	128(W) x 128(D)mm 5.04(W) x 5.04(D)inches		174(W) x 137(D)mm 6.85(W) x 5.39(D)inches	
Dimensions	170(W) x 220(D) x 63(H)mm 6.68(W) x 8.64(D) x 2.50(H)inches		174(W) x 220(D) x 63(H)mm 6.8(W) x 8.6(D) x 2.50(H)inches	
Battery life (approx.)	Approx. 100 hours with manganese, 200 hours with alkaline			
Weight (approx.)	Approx. 870g		Approx. 950g	
Power	6 x R6P / LR6 / "AA" size batteries or AC adapter			

Specifications subject to change for improvement without notice.

Accessories

- AX-TB125 AC Adapter AC200~240V 'C'plug
- AX-TB126 AC Adapter AC200~240V 'BF/S/no'plug
- AX-TB196 AC Adapter AC100V
- AX-TB202 AC Adapter AC120V

Dimensions (mm)



Model	Capacity & Resolution
HL-300WP	300g x 0.1g
HL-1000WP	1000g x 0.5g
HL-3000WP	3000g x 1g
HL-3000LWP	3000g x 1g



HL-WP



HL-3000LWP



TITAN Family

TITAN Compact Series
SK-WP
Dust & Waterproof Digital Scales



Model	Capacity & Resolution
SK-1000WP	1000g x 0.5g
SK-2000WP	2000g x 1g
SK-5000WP	5000g x 2g
SK-5001WP	5000g x 1g
SK-10KWP	10kg x 0.005kg
SK-20KWP	20kg x 0.01kg

Pan size: 232(W)x192(D)mm



Australian distributors:
Fisher Biotec Australia
free call: 1800 066 077
email: info@fisherbiotec.com
web: www.fisherbiotec.com