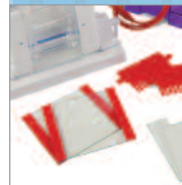
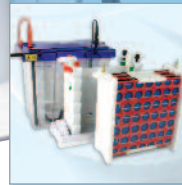


omniPAGE



Compact and easy to setup
omniPAGE offers rapid gel casting and loading



Australian distributors:
Fisher Biotec Australia
free call: 1800 066 077
email: info@fisherbiotec.com
web: www.fisherbiotec.com

omniPAGE

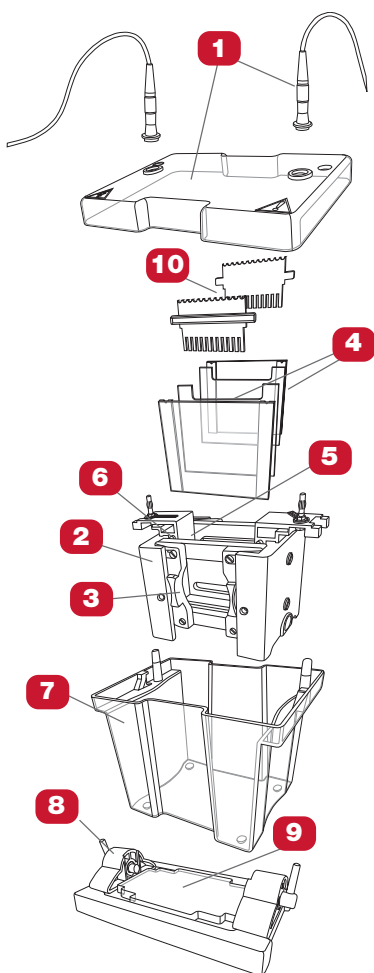
Vertical Gel Systems

The omniPAGE range of Vertical Gel Units combines ease of use with high resolution separations.

- Injection Moulded Mini Unit - durable, leak-proof environment for complete safety and long life
- Compatible with all major brands of precast gels
- Rapid Gel Casting and Loading ensures trouble free gel set-up
- Versatile - interchangeable modules for PAGE and 2-D electrophoresis as well as electroblotting using a single universal buffer tank

Three sizes, Mini 10 x 10cm, Mini Wide 20 x 10cm and WAVE Maxi 20 x 20cm, share a host of common features including a guaranteed leak proof seal required for trouble free, rapid and uncomplicated gel casting.

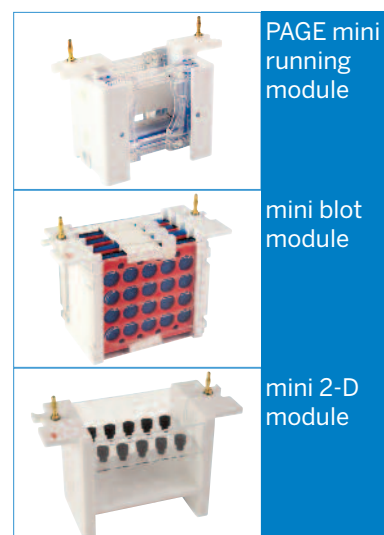
The built in gel running module eliminates time consuming transfer of glass plates during casting, a process which can cause gel damage and misalignment. Glass plates with permanently bonded spacers guarantee perfect spacer alignment. The glass plate sandwich is simply inserted between pressure bars and sealed using an easy to use Sliding Gates or WAVE Maxi Clamp system. This ensures fast set up times while even pressure bars and ultra soft seals ensure leak proof casting. Once the gel has polymerised, the gel running module is simply inserted into the gel tank for electrophoresis.



Components of omniPAGE MINI vertical gel chambers

1. Lid and power cables
2. PAGE module
3. Sliding clamps
4. Glass plates
5. Inner buffer chamber
6. Gasket
7. Outer tank
8. Cam-pin caster
9. Ultra-soft casting mat
10. Combs

INTERCHANGEABLE modules



omniPAGE maxi
WAVE, 20x20cm

electroblotting
module

2-D module

omniPAGE mini,
10x10cm

electroblotting
module

2-D module

casting base

casting base

combs & SPACERS

- combs and spacers are injection moulded for consistency and 'clean' well formation
- four thicknesses, colour coded. Black and white combs recommended for high resolution publication quality data; red and blue to scale-up volumes for preparatory techniques

- black:** 0.75mm for ultra resolved bands
- white:** 1mm supplied as standard
- red:** 1.5mm for maximising sample volume
- blue:** 2mm for maximising sample volume

- reversible combs also serve as loading indicators to aid pipette-well alignment, preventing sample loading errors

Corrosion resistant,
99.99% pure platinum
electrodes and gold
plated terminals - easily
replaced, ensuring
minimum repair times

Retractable
connectors
compatible with
most major
power supplies



SIMPLE AND RAPID

mini gel casting



Insert glass plates into PAGE insert and slide clamps into side cheeks to create an effective seal to prevent current leakage during electrophoresis

Transfer PAGE insert to casting base, insert cams and turn until tightened

Pour in gel solution, insert comb and allow to polymerise

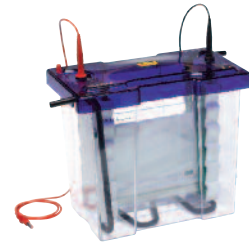
Transfer PAGE insert to tank. Fill with buffer, load samples, replace lid and run

UK designed and
manufactured





omniPAGE selection guide



	MINI	MINI WIDE	VS20WAVE MAXI
	<ul style="list-style-type: none"> Run 1-4 handcast gels, and up to 2 precast gels in mini format Sliding clamp assembly ensures fast set up times and leak-free operation Insert for both gel casting and running eliminating time-consuming transfer of fragile gels Modular design for rapid turnaround of data, allowing PAGE, 2-D and blotting to be completed within a working day 	<ul style="list-style-type: none"> Mini wide format effectively allows 2 mini gels to be compared within a single gel for gel-to-gel reproducibility Run 1-2 handcast gels; perfect for users with >20 samples to compare and resolve Even pressure screw system prevents gel leakage Combine pI (isoelectric point) separation with speed by resolving 2x 7cm IPG strips or 2x 8cm capillary tube gels per gel using special 2-D gel combs and plates Ability to perform three techniques in a day: IEF, PAGE and blotting 	<ul style="list-style-type: none"> Runs 1-4 large format gels at maximum resolution Fewer screws compared to traditional formats resulting in rapid set up times Optional blotting insert Detachable cooling core for fast, smile-free electrophoresis Seamless injection moulded construction free of potential leakage-prone glue joins Capacity to run 1-4 18cm capillary tube gels or IPG strips in second dimension; optional 2-D module
Unit Dimensions (w x l x h)	19 x 13 x 15cm	26 x 16 x 16cm	30 x 18 x 27cm
Active Gel Dimensions (w x h)	8 x 8.5cm	18 x 8cm	16 x 17.5cm
Sample Capacity	PAGE: 80 samples, 20/gel Blot: 4 blots 2D: 10 tubes	PAGE: 192 samples, 48/gel Blot: 4 blots 2D: 10 tubes	PAGE: 192 samples, 48/gel Blot: 4x WAVE gels 2D: 10 tubes
Tank Buffer Volume	Min 250ml; Max 1200ml	Min 600ml; Max 2800ml	Min 1200ml; Max 5300ml
COMPATIBLE GEL FORMATS			
Precast	Commercial 10x10cm and 10x8cm (W x H) precast gels: e.g. IDGel™, SERVA, Thermo and Invitrogen, etc.		
Handcast	OmniPAGE VS10 glass plates with or without bonded spacers for handcast gels	VS10W plain and notched glass plates with or without bonded spacers for handcast gels	VS20 plain and notched glass plates with or without bonded spacers for handcast gels
Compatible Electrophoresis Transfer Systems Integrated modular	OmniPAGE Mini CVS10CBS, CVS10CBS-HI and CVS10CES	OmniPAGE Mini Wide VS10WCBS and VS10WCES	VS20CBS, VVS20CBS-HI and VS20WAVECES
Standalone Wet/tank transfer	SB10 and EBM10 4- and 5-blot transfer systems	SB10W and EBM20 3- and 5-blot transfer systems	SB20 and EBM20 3- and 5-blot transfer systems
Semi-dry	SD10 10x10cm and SD20 20x20cm for 1x and 4x blots	SD20 20x20cm for 2x blots	SD20 20x20cm, SD33 33x45cm, and SD50 20x50cm for 1-3 blots
ELECTROPHORESIS SYSTEMS			
•Standard	2-gel systems (can run 4 gels)	2-gel system	2-gel system
•Precast (tank, lid and running insert only)	CVS10PRE		
•Tapecast (includes glass plates)	CVS10D	VS10WD	VS20WAVED
•Handcast (with glass plates and caster)	CVS10DSYS	VS10WDSYS	VS20WAVESYS
(with extra casting stand and plates to run 2 gels in tank, while casting 2 simultaneously)	CVS10DSYS-CU	VS10WDSYS-CU	VS20WAVESYS-CU